

BPS-114

Uninterruptible power supply unit



Main Characteristics:

Uninterruptible power supply unit BPS-114 is intended for permanent supply various ship and industrial equipment with the stabilized voltage of a direct current 14.5 V. Embedded high capacity battery provides power supply of connected equipment more than 60 minutes after fall of the incoming voltage (110/220 VAC).

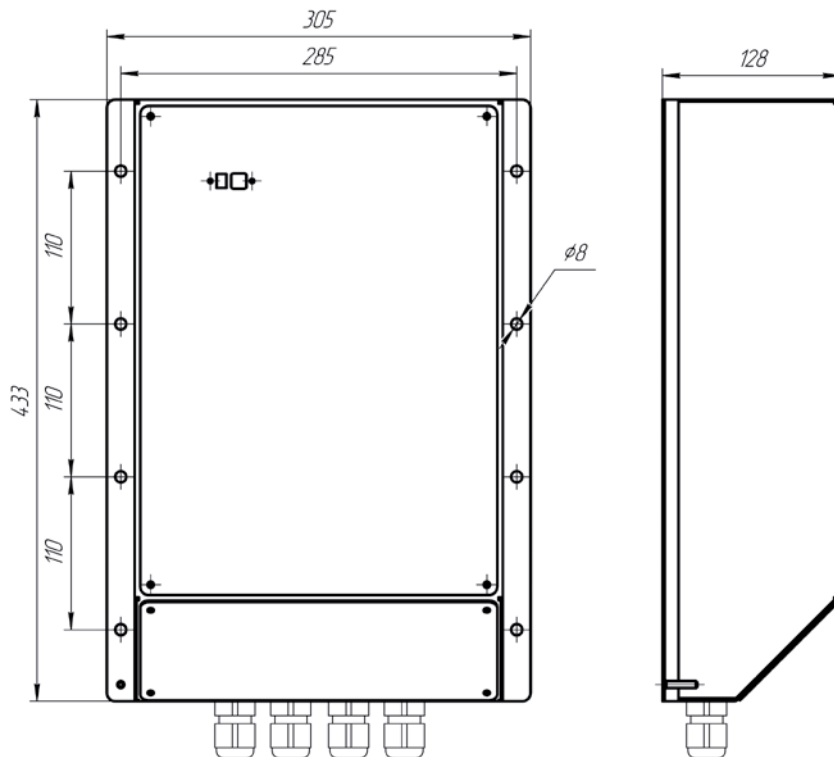
Technical description:

Input voltage:..... 110/220 VAC
 Output voltage
 (operating from input circuit 110/220 VAC):..... 14.5 VDC
 Output voltage
 (operating from embedded battery):.....9.6...13.5 VDC
 Nominal load current:..... 14 A
 Nominal power:200 W
 Time of operation from embedded battery:not less than 60 minutes



BPS-114 Uninterruptible power supply unit

Overall Dimensions Outline Figure:



General Characteristics:

Overall dimensions:..... 270 x 380 x 115 mm
 Weight:..... 10 kg
 Working temperature:..... -10...+50 °C
 Storage temperature: -20...+60 °C
 Protection index:..... IP 22

Electrical Characteristics:

Input voltage:..... 110/220 VAC
 Output voltage
 (operating from input
 circuit 110/220 VAC): 14.5 VDC
 Output voltage (operating
 from embedded battery):... 9.6...13.5 VDC
 Nominal load current: 14 A
 Nominal power: 200 W
 Time of operation from
 embedded battery: not less than 60 minutes
 Efficiency: not less than 70%