

## ACCESSORY

# 12V-24V WATERPROOF WIRELESS CHARGER



<b>SKU CODE</b>	QLH-HW-WCH
<b>BARCODE (EAN-13)</b>	9348943051644
<b>MSRP</b>	US \$74.99 AU \$109.95 CA \$109.99 EU €79.99 UK £69.99
<b>MANUFACTURED IN</b>	China
<b>HS CODE</b>	850440
<b>HTS CODE (USA)</b>	8504.40.85.00
<b>PRIMARY APPLICATIONS</b>	MARINE, RV, MOTORCYCLE

### PRODUCT DETAILS

#### FEATURES

INPUT : HARDWIRED TO 12V OR 24V BATTERY  
 OUTPUT: 5W / 7.5W / 10W / 15W  
 DUAL STAGE SECURE POSITIVE LOCKING HEAD  
 ALUMINIUM REAR HOUSING WITH FINS FOR THERMAL MANAGEMENT  
 IP67 WATER RESISTANT  
 RED LED PROVIDES STATUS INDICATION & VISIBILITY IN MARINE APPLICATION

NOTE: MUST BE WIRED THROUGH IGNITION POSITIVE (NOT STEADY POSITIVE) OR ISOLATOR SWITCH, AND NOT DIRECTLY TO BATTERY TO AVOID BATTERY DRAIN

#### COMPATABILITY

COMPATIBLE WITH:  
 QUAD LOCK PHONE CASES  
 ALL QUAD LOCK 360 COMPATIBLE BASES, ARMS AND SPARE PARTS

NOT COMPATIBLE WITH:  
 QUAD LOCK UNIVERSAL ADAPTORS

#### WIRELESS CHARGING CAPABILITY

iPhone SE (3rd Gen), 14, 14 Plus, 14 Pro, 14 Pro Max, 13 Pro, 13 Pro Max, 13, 13 mini, 12 Pro, 12 Pro Max, 12, 12 mini, 11 Pro, 11 Pro Max, 11, SE (2nd Gen), X/Xs, Xs Max, XR, 8 Plus, 8  
 Samsung Galaxy S23, S23+, S23Ultra, S22 Ultra, S22+, S22, S21 FE, S21 Ultra, S21+, S21, Note20 Ultra, Note20, S20 FE, S20 Ultra, S20+, S20, Note10, Note10+, Note9, S10+, S10, S10e, S9+, S9, S8+ and S8  
 Google Pixel 6 Pro, 6, 5, 4, 4 XL, 3, 3 XL  
 Huawei P40 Pro and P30 Pro

#### INCLUDED IN THE BOX

1 x 12-24V WATERPROOF WIRELESS CHARGING HEAD  
 2 x CABLE GROMMET PLUGS  
 1 x 3mm HEX KEY  
 1 x M5x35mm CSK HEAD HEX SOCKET SS316 SCREW - BLACK w NYLOC  
 5 x 5mmx200mm NYLON ZIP TIES




#### MATERIALS

GLASS FILLED NYLON TOP CAP & TOP HOUSING  
 ANODISED ALUMINIUM REAR HOUSING  
 SS316 SCREW  
 TPE CABLE  
 TPU GROMMET PLUGS  
 NYLON ZIP TIES

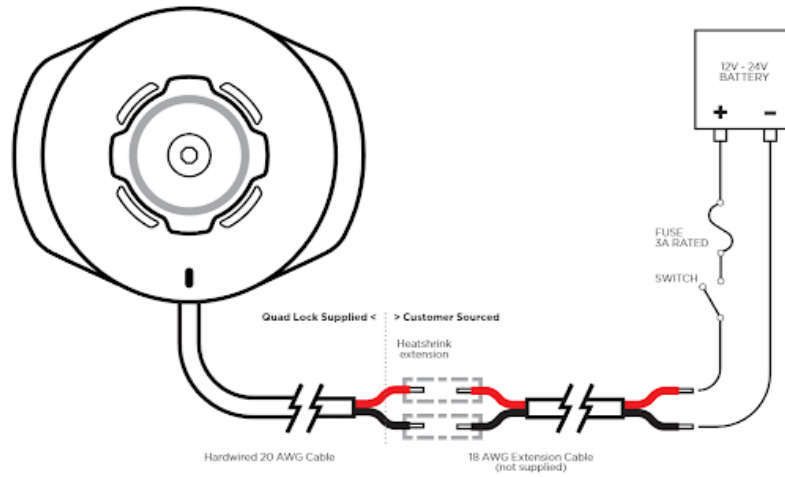
#### MEASUREMENTS

80mm L x 67mm W x 35.3mm H

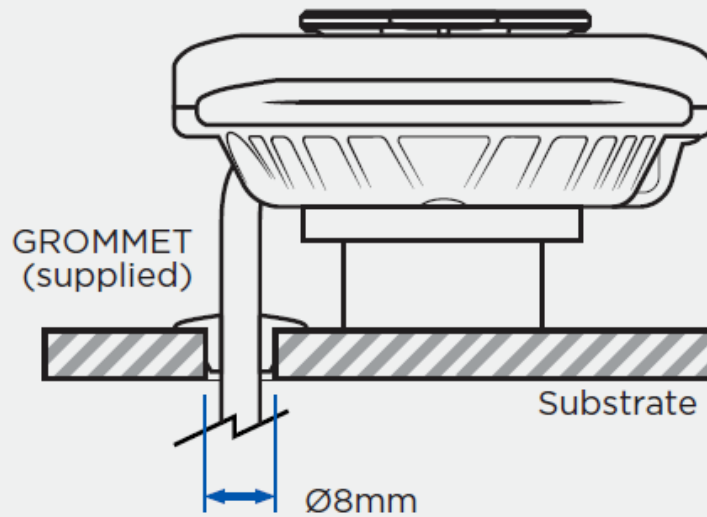
**LED STATUS**

	POWER ON / STAND BY
	CHARGING / FULLY CHARGED
	ERROR MODE

**WIRING OPTIONS**



**INSTALLATION WITH SUPPLIED GROMMET PLUG**



**REGULATORY CERTIFICATION**



CCAM23LP1250T5



