

BASE SINGLE BOLT - M8



SKU CODE	QLP-360-M8
BARCODE (EAN-13)	9348943061254
MSRP	US \$17.99 AU \$23.95 CA \$23.99 EU €17.99 UK £14.99
MANUFACTURED IN	China
HS CODE	392690
HTS CODE (USA)	3926909985
PRIMARY APPLICATIONS	MOTO

PRODUCT DETAILS

FEATURES	<ul style="list-style-type: none"> • Mount replaces an existing M8 handlebar clamp bolt • Anti-rotation serrated M8 bolt base and spacers • High Tensile Steel Grade 10.9 • A low profile inboard mount option • Spacers provide option of raising the mount for clearance to large handlebar clamps and surrounding component
-----------------	---

COMPATABILITY	<p>COMPATIBLE WITH:</p> <ul style="list-style-type: none"> • Quad Lock Bar Spacers • Quad Lock Extension Arm • Quad Lock Knuckle Adapter • Quad Lock Single Pivot Arm • Quad Lock Dual Pivot Arms • Quad Lock Vibration Dampener • Quad Lock Index Lever Head • Quad Lock Wireless Charging Head (QLA-MOT-WCH-3)
----------------------	--

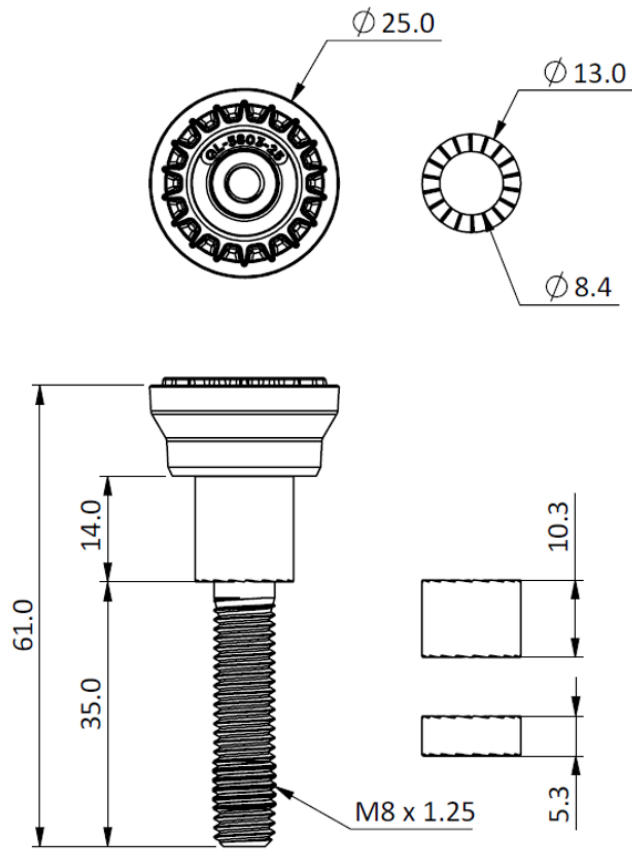
INCLUDED IN THE BOX	<p>1 x Single Bolt - M8 1 x 5mm Serrated Spacer 1 x 10mm Serrated Spacer</p>
----------------------------	--

MATERIALS	<p>Single Bolt: High Tensile Steel Grade 10.9, Zinc Flake Dacromet coating, ND593S blue adhesive Spacers: GCR15, HRC55, Zinc Flake Dacromet coating</p>
------------------	---

MEASUREMENTS	61mm H x 25mm Dia
---------------------	-------------------

PRODUCT WIGHT (KG)	0.0658 kg
---------------------------	-----------

PRODUCT DETAILS	INDIVIDUAL	INNER CARTON	MASTER CARTON
QTY	-	10 Units	50 Units
SKU CODE	QLP-360-M8	10QLP-360-M8	50QLP-360-M8
BARCODE	9348943061254	19348943061251	29348943061258
DIMENSIONS (L x W x H)	6.5 x 2.7 x 9.4	31 x 7.3 x 12.3	40 x 32.5 x 12.5
WEIGHT	0.0658 kg	.072kg	4.17kg



 **DESIGNED IN AUSTRALIA**

PATENTED. &/OR PAT. PEND. & TM:
QUADLOCKCASE.COM/IP 

©2024 QUAD LOCK Pty Ltd
Designed in Melbourne, AUS | Made in China | All Rights Reserved
All trademarks are property of their prospective owners

Head Office: Suite 6A, Level 3, The Como Centre,
299 Toorak Rd, South Yarra, VIC 3141, Australia

QUADLOCKCASE.NET