

BASE CONCEALED THROUGH CABLE SMALL BASE



SKU CODE	QLP-360-CCS
BARCODE (EAN-13)	9348943056748
MSRP	US \$14.99 AU \$19.95 CA \$19.99 EU €14.99 UK £11.99
MANUFACTURED IN	China
HS CODE	392690
HTS CODE (USA)	3926909985
PRIMARY APPLICATIONS	MARINE, RV

PRODUCT DETAILS

FEATURES	<ul style="list-style-type: none"> • 2 HOLE BASE • GLAMOUR COVER WITH TPU GROMMET TO PASS 12V-24V WATERPROOF WIRELESS CHARGER CABLE • GLAMOUR COVER TO HIDE SCREWS • LOW PROFILE BASE
-----------------	---

COMPATABILITY	<p>COMPATIBLE WITH:</p> <ul style="list-style-type: none"> • PRIMARILY USED AS CABLE PASS THROUGH FOR 12V-24V WATERPROOF WIRELESS CHARGING HEAD • FLAT MOUNTING SURFACE • M5 or 10G (gauge 10) PAN HEAD SCREWS • ALL QUAD LOCK 360 ARMS AND HEADS • USE MOTO SPACER, M5 x 45 SCREW & RIGHT ANGLE USB-C CABLE FOR USB WEATHERPROOF WIRELESS CHARGER
----------------------	---

- NOT COMPATIBLE WITH:
- CURVED MOUNTING SURFACE
 - CANNOT PASS FOLLOWING CABLES THROUGH GROMMET:
 - USB-A to USB-C CABLES (QUAD LOCK / GENERIC)
 - USB-C to USB-C CABLES (QUAD LOCK / GENERIC)
 - SAE CONNECTOR CABLES (QUAD LOCK / GENERIC)
 - MOTO USB CHARGER & 12V SMART ADAPTOR CABLES

INCLUDED IN THE BOX	<p>1 x QUAD LOCK CONCEALED THROUGH CABLE SMALL BASE WITH COVER 1 x QUAD LOCK 10mm SPACER 1 x M5 x 30 COUNTERSUNK HEX SOCKET SCREW (for connecting Spacer to Lever Head or 360 Arms) 1 x M5 x 45 COUNTERSUNK HEX SOCKET SCREW (for connecting Spacer to Weatherproof Wireless Charger)</p> <p>*MOUNTING SCREWS NOT INCLUDED</p>
----------------------------	---

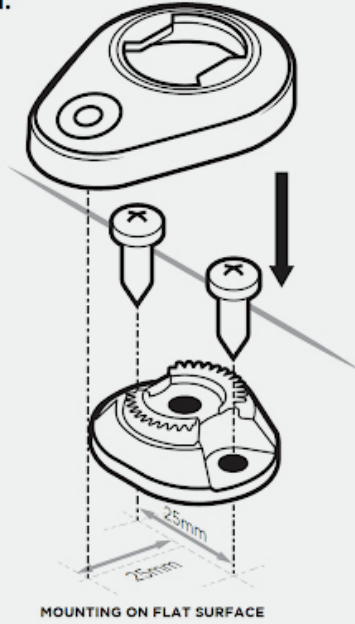
MATERIALS	<p>GLASS FILLED NYLON 316 STAINLESS STEEL HARDWARE</p>
------------------	---

MEASUREMENTS	55mm L x 40mm W x 12mm H
---------------------	--------------------------

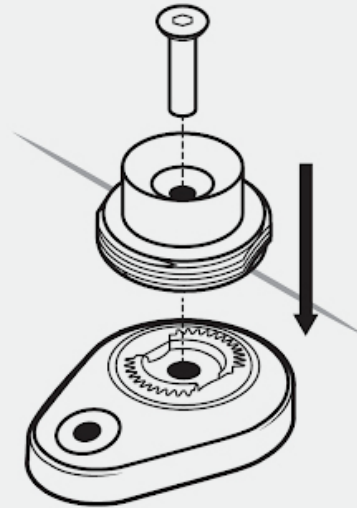
PRODUCT WIGHT (KG)	0.027 kg
---------------------------	----------

MOUNTING & INSTALLATION

1.

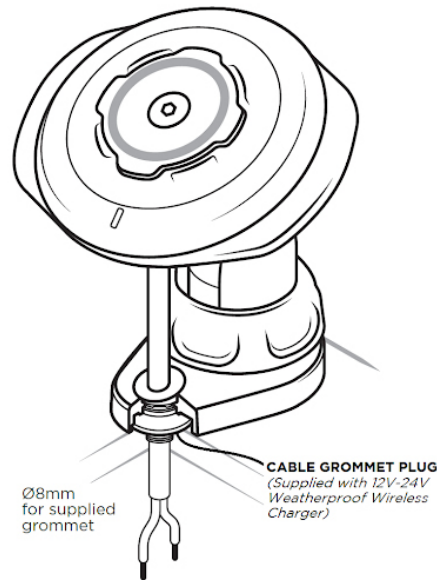


2. Concealed Base is locked in place when a Quad Lock 360 **ARM** or **HEAD** is attached above it

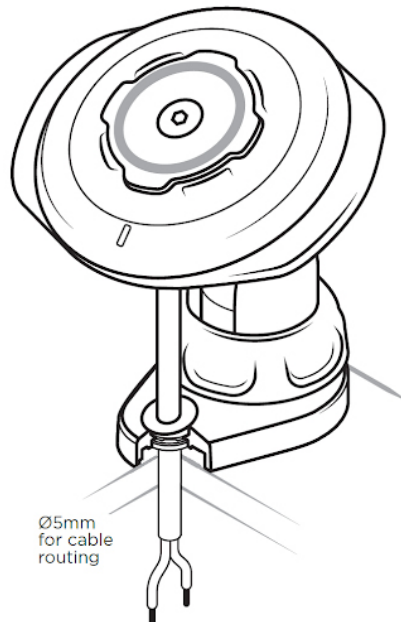


COMPATIBILITY WITH 12V-24V WEATHERPROOF WIRELESS CHARGER

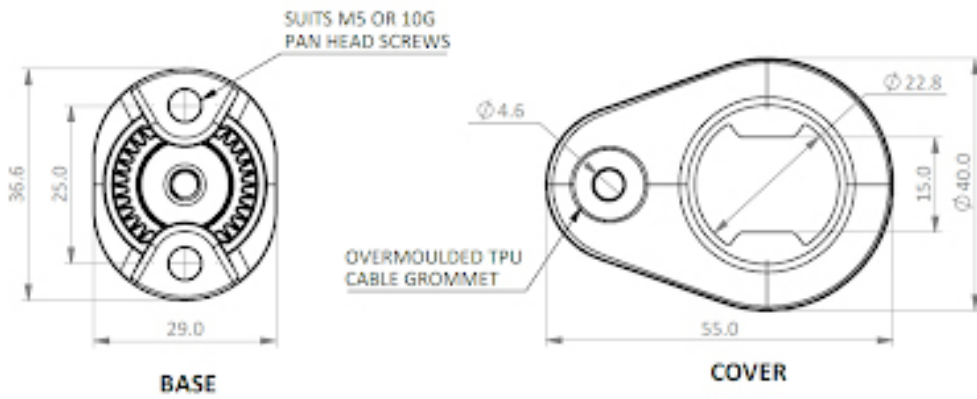
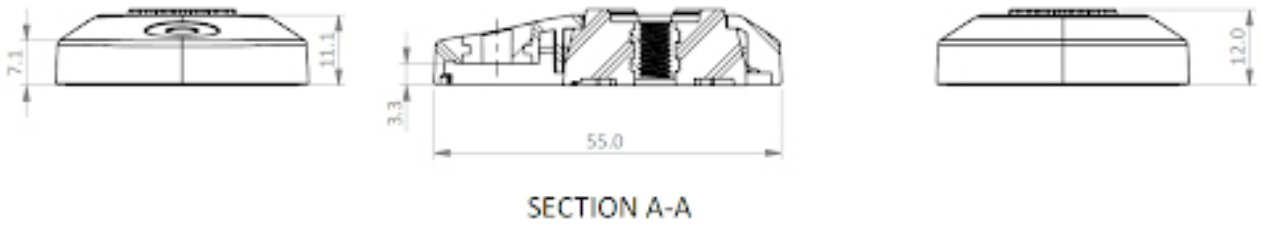
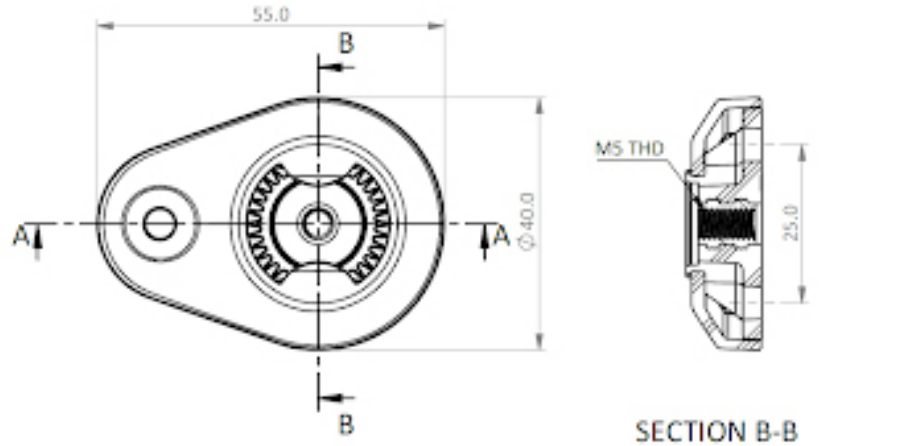
1. CABLE PASS THRU COVER ONLY



2. CABLE PASS THRU GROMMET PLUG UNDER COVER



PRODUCT DETAILS	INDIVIDUAL	INNER CARTON	MASTER CARTON
QTY	-	20 Units	100 Units
SKU CODE	QLP-360-CCS	20QLP-360-CCS	100QLP-360-CCS
BARCODE	9348943056748	19348943056745	29348943056742
DIMENSIONS (L x W x H)	9.4 x 2.1 x 6.5 cm	23.3 x 14 x 12.9 cm	71 x 24.4 x 15.6 cm
WEIGHT	0.04 kg	0.96 kg	5.1 kg



DESIGNED IN AUSTRALIA

PATENTED. &/OR PAT. PEND. & TM: QUADLOCKCASE.COM/IP

©2023 QUAD LOCK Pty Ltd
Designed in Melbourne, AUS | Made in China | All Rights Reserved
All trademarks are property of their prospective owners

Head Office: Suite 6A, Level 3, The Como Centre,
299 Toorak Rd, South Yarra, VIC 3141, Australia

QUADLOCKCASE.NET