

# HEAD 360 ACTION CAMERA ADAPTOR



<b>SKU CODE</b>	QLP-360-ACA
<b>BARCODE (EAN-13)</b>	9348943057585
<b>MSRP</b>	US \$19.99 AU \$24.95 CA \$24.99 EU €19.99 UK £17.99
<b>MANUFACTURED IN</b>	China
<b>HS CODE</b>	392690
<b>HTS CODE (USA)</b>	3926909985
<b>PRIMARY APPLICATIONS</b>	PHOTOGRAPHY

## PRODUCT DETAILS

<b>FEATURES</b>	<ul style="list-style-type: none"> <li>• Screws in place of a Quad Lock Head</li> <li>• Stainless Steel Threaded Insert</li> <li>• Large range of Camera Tilt</li> <li>• Offset Mount</li> </ul>
-----------------	--

<b>COMPATABILITY</b>	<p>COMPATIBLE WITH:</p> <ul style="list-style-type: none"> <li>• 360 Products (used instead of a head)</li> </ul> <p>NOT COMPATIBLE WITH:</p> <ul style="list-style-type: none"> <li>• Non 360 Products</li> <li>• Action cameras and lights that DO NOT have the standard 2-prong "GO-PRO" style mounting feature</li> <li>• Action cameras where the base of the camera is wider than 65mm - thumbscrew will clash with camera</li> <li>• Not recommended for use with VDM - may increase camera shake at low frequencies</li> <li>• Not recommended for use with vehicle mounts such as Vent Mount or Adhesive/Dash Console Mount</li> </ul>
----------------------	---

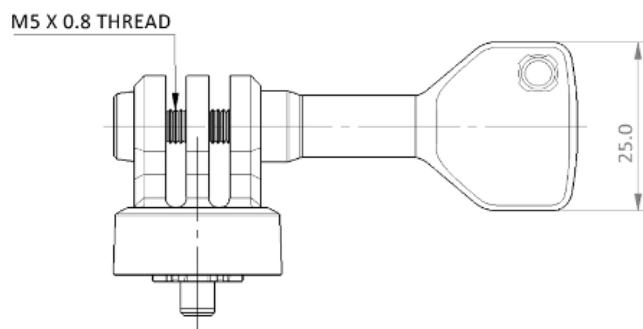
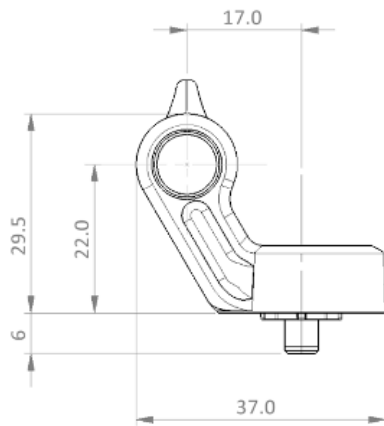
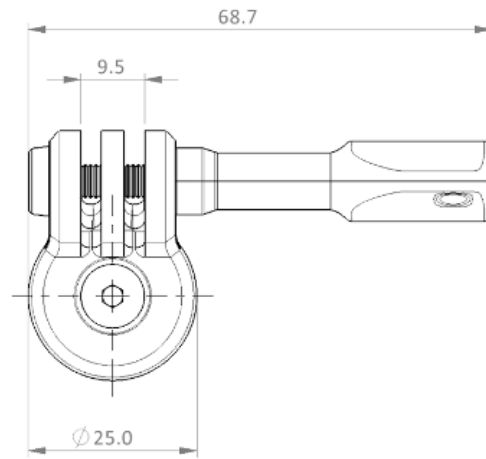
<b>INCLUDED IN THE BOX</b>	<p>1 x QUAD LOCK 360 HEAD - ACTION CAMERA ADAPTOR          1 x M5 THUMB SCREW          1 x STANDARD ALLEN KEY (3MM)          1 X M5 x 16mm COUNTERSUNK SCREW</p>
----------------------------	--

<b>MATERIALS</b>	<p>Polycarbonate          Stainless Steel</p>
------------------	---

<b>MEASUREMENTS</b>	See image below
---------------------	-----------------

<b>PRODUCT WIGHT (KG)</b>	0.030kg
---------------------------	---------

PRODUCT DETAILS	INDIVIDUAL	INNER CARTON	MASTER CARTON
<b>QTY</b>	-	20 Units	100 Units
<b>SKU CODE</b>	QLP-360-ACA	20QLP-360-ACA	100QLP-360-ACA
<b>BARCODE</b>	9348943057585	19348943057582	29348943057589
<b>DIMENSIONS (L x W x H)</b>	6.5cm x 3.8cm x 4.0cm	30.0cm x 14.3cm x 11.2cm	73.2cm x 32.2cm x 13.5cm
<b>WEIGHT</b>	0.057kg	1.244 kg	5.675kg



 **DESIGNED IN AUSTRALIA**

**PATENTED. &/OR PAT. PEND. & TM:**  
QUADLOCKCASE.COM/IP 

©2024 QUAD LOCK Pty Ltd  
Designed in Melbourne, AUS | Made in China | All Rights Reserved  
All trademarks are property of their prospective owners

**Head Office:** Suite 6A, Level 3, The Como Centre,  
299 Toorak Rd, South Yarra, VIC 3141, Australia

**QUADLOCKCASE.NET**