

# MOUNT HANDLEBAR CLAMP



<b>SKU CODE</b>	QLM-HBC
<b>BARCODE (EAN-13)</b>	9348943061261
<b>MSRP</b>	US \$44.99 AU \$54.95 CA \$54.99 EU €44.99 UK £34.99
<b>MANUFACTURED IN</b>	China
<b>HS CODE</b>	392690
<b>HTS CODE (USA)</b>	3926909985
<b>PRIMARY APPLICATIONS</b>	MOTO

## PRODUCT DETAILS

<b>FEATURES</b>	<p>Mount replaces existing M8 handlebar clamp bolt</p> <p>Cleanly mounts to motorcycle handlebar clamp point</p> <p>Secure dual-stage locking system</p> <p>Anti-rotation serrated M8 bolt base and spacers</p> <p>High tensile steel Grade 10.9 bolt</p> <p>135 degree of knuckle angle adjustment without disassembly</p>
-----------------	---

<b>COMPATIBILITY</b>	<p>Compatible With:</p> <ul style="list-style-type: none"> <li>All Quad Lock Cases &amp; Universal Adaptors</li> <li>All Quad Lock Motorcycle Accessories (Vibration Dampener, Wireless/USB Chargers)</li> <li>All Quad Lock Coloured Levers</li> </ul>
----------------------	---

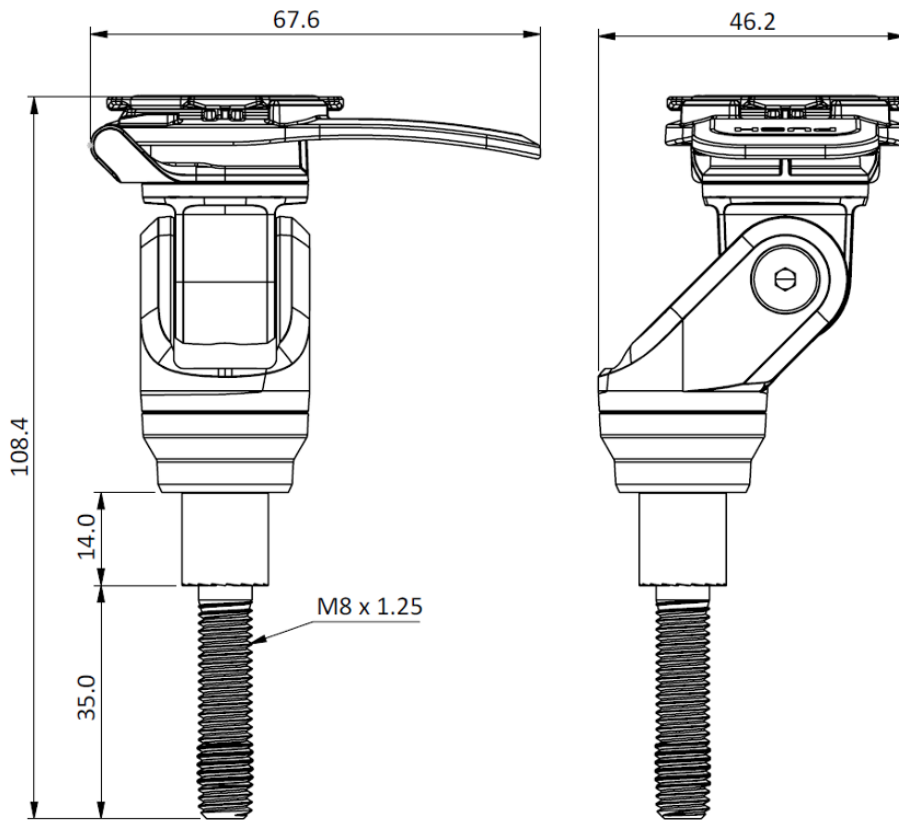
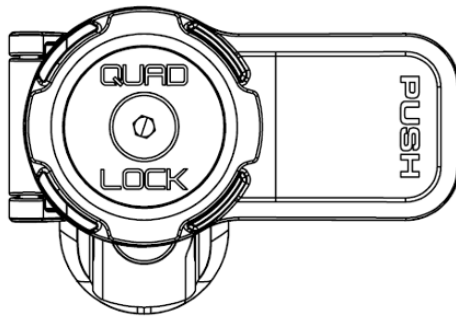
<b>INCLUDED IN BOX</b>	<p>1 x Handlebar Clamp Mount</p> <p>1 x Single Bolt - M8</p> <p>1 x 5mm Serrated Spacer</p> <p>1 x 10mm Serrated Spacer</p> <p>1 x Offset knuckle Assembly</p> <p>1 x Hex key</p>
------------------------	---

<b>MATERIALS</b>	<p>Single Bolt - High Tensile Steel Grade 10.9, Zinc Flake Dacromet coating, ND593S blue adhesive</p> <p>Spacers - GCR15, HRC55, Zinc Flake Dacromet coating</p> <p>Offset knuckle assembly - Nylon GF33%</p>
------------------	---

<b>MEASUREMENTS</b>	46mm L x 67mm W x 108mm H
---------------------	---------------------------

<b>PRODUCT WEIGHT</b>	0.12 kg
-----------------------	---------

PRODUCT DETAILS	INDIVIDUAL	INNER CARTON	MASTER CARTON
<b>QTY</b>	-	10 Units	50 Units
<b>SKU CODE</b>	QLM-HBC	10QLM-HBC	50QLM-HBC
<b>BARCODE</b>	9348943061261	19348943061268	29348943061265
<b>DIMENSIONS (L x W x H)</b>	6.6cm x 2.9cm x 9.8cm	30cm x 7.8cm x 12.3cm	41cm x 31.5cm x 14cm
<b>WEIGHT</b>	0.12 kg	1.255 kg	6.768 kg



 **DESIGNED IN AUSTRALIA**

**PATENTED. &/OR PAT. PEND. & TM:**  
QUADLOCKCASE.COM/IP 

©2024 QUAD LOCK Pty Ltd  
Designed in Melbourne, AUS | Made in China | All Rights Reserved  
All trademarks are property of their prospective owners

**Head Office:** Suite 6A, Level 3, The Como Centre,  
299 Toorak Rd, South Yarra, VIC 3141, Australia

**QUADLOCKCASE.NET**