

# MOUNT MIRROR STEM MOUNT



<b>SKU CODE</b>	QLM-MST
<b>BARCODE (EAN-13)</b>	9348943077903
<b>MSRP</b>	US \$44.99 AU \$54.99 CA \$54.99 EU €44.99 UK £34.99
<b>MANUFACTURED IN</b>	China
<b>HS CODE</b>	392630
<b>HTS CODE (USA)</b>	3926305000
<b>PRIMARY APPLICATIONS</b>	Motorcycle

## PRODUCT DETAILS

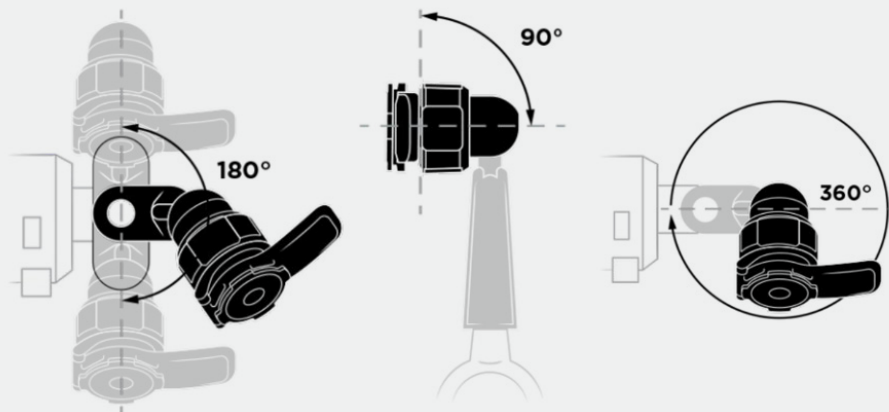
### FEATURES

- Secure mounting to the scooter or motorcycle mirror shaft
- Mount hole size to suit an M10 or M8 thread
- Mounting on left hand or right hand side of the scooter/motorbike
- Durable diecast Aluminium offset arm
- Gimbal pivot head adjustment via a thumbscrew without the use of tools
- Inboard rotational adjustment of the offset arm

### COMPATIBLE WITH

Compatible with all Quad Lock cases and Universal Adaptors  
 Quad Lock Motorcycle Wireless Charging Head (QLA-MOT-WCH-3)  
 Quad Lock Motorcycle Vibration Dampener (QLA-VDM)  
 Quad Lock Motorcycle USB Charger (QLA-MOT-USB)  
 Quad Lock 360 Range

## ADJUSTABILITY



### MATERIALS

Gimbal body - PC+ABS  
 Gimbal nut and base ring - GF14% Nylon  
 Offset Arm - Powder coated diecast Aluminium  
 Washers - Steel Zi Ni coated

### INCLUDED IN BOX

1 x Offset Arm & Gimbal Head Assembly  
 1 x Index Head with blue lever  
 1 x M8 Shoulder Washer  
 1 x M10 Flat Washer  
 1 x 3mm Hex Key

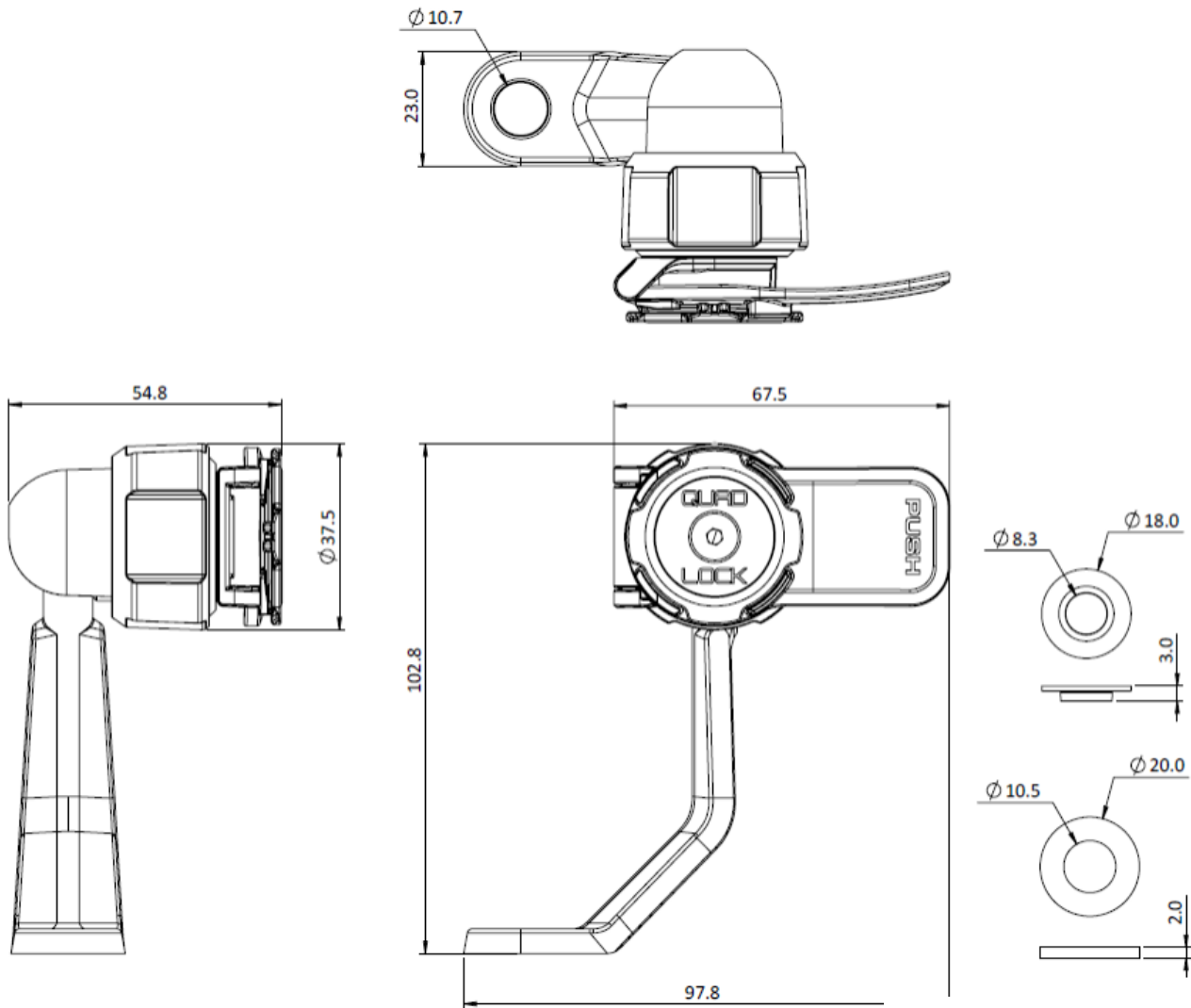
### MEASUREMENTS

55mm L x 98mm W x 102mm H

### PRODUCT WEIGHT

0.110 kg

PRODUCT DETAILS	INDIVIDUAL	INNER CARTON	MASTER CARTON
QTY	-	10 Units	50 Units
SKU CODE	QLM-MST	10QLM-MST	50QLM-MST
BARCODE	9348943077903	19348943077900	29348943077907
DIMENSIONS (L x W x H)	17.7cm X 11.7cm x 3.7cm	20cm x 12.8cm x 19cm	54.5cm x 21.7cm x 21cm
WEIGHT	0.127 kg	1.35 kg	7.42 kg



ALL DIMENSIONS IN mm

DESIGNED IN  
AUSTRALIA



©2024 QUAD LOCK Pty Ltd  
Designed in Melbourne, AUS | Made in China | All Rights Reserved  
All trademarks are property of their prospective owners

Head Office: Suite 6A, Level 3, The Como Centre,  
299 Toorak Rd, South Yarra, VIC 3141, Australia

QUADLOCKCASE.NET