

APS-120



Automatic power switching unit

«Unicont SPb» Ltd

26E, Kibalchicha str., 192174, St Petersburg, Russia
 Tel./fax: +7 (812) 622-23-10,
 e-mail: info@unicont.spb.ru,
 www.unicont.spb.ru

The APS-120 automatic power switching unit ensures uninterruptible power supply to load and provides an automatic mains/standby switch in case of the mains power failure.

1. The scope of supply

Automatic power switching unit APS-120	1 pc.
Technical description	1 pc.
Spare tools and accessories kit (fuses 30A – 2pcs.)	1 pc.

2. Specifications

Operating voltage:	24 (12)V DC, input IN1
Standby voltage:	24 (12)V
Output voltage:	Repeats voltage N1 or N2, depending on the active mode
Rated load current:	20A
Power consumption:	1.5W
IP rating:	IP 22
Dimensions:	158mm x 127mm* x 54mm
Weight:	0.3 kg
Protection:	Short-circuit
* height measured with the cable glands	

3. The APS-120 description

The automatic power switching unit APS-120 has the output OUT, which is intended for load and connected through contacts of the built-in relay with the input terminals BPU and BAT. Once the main power is supplied (e.g., onboard power system), the relay on the input BPU activates. The relay contacts connect the output load terminal OUT with the input BPU. In case of a main power failure the relay on the input BPU switches off, and the contacts connect the output load terminal OUT to the input BAT.

The fuse (short-circuit protection) is built-in into the automatic power switching unit APS-120.

4. Mounting and connection

1. The unit is mounted on the vertical bulkhead or mounting panel. Fastening of screws and bolts is provided from the inside of the housing.
2. Feed the cables from the external connected units and power supplies through the cable glands.
3. To use a unit with an operating voltage 12V DC, provide the unit settings (see 5).
4. Connect the cables from the external connected units and power supplies to the APS-120 terminals according to the connection diagram (see Fig. 1).
5. Install the fuses.
6. Check the unit operation (provide power on, then switch off and power on again to the input IN1; check that power is available on the output OUT). Close the cover.

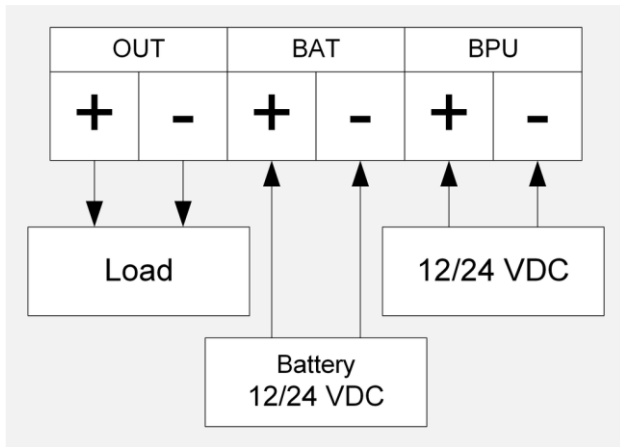


Fig. 1 Connection diagram.

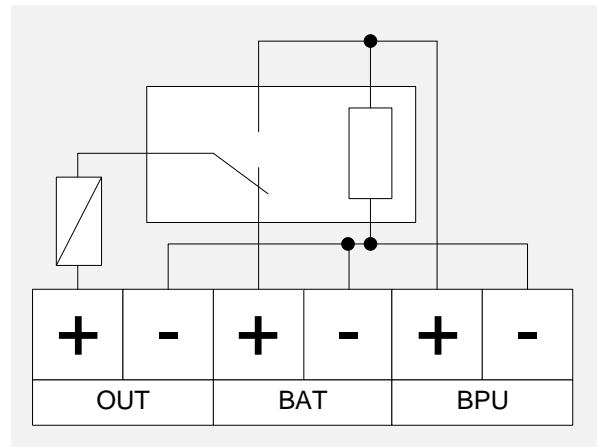


Fig. 2 Structural diagram.

The glands MG-16 - 3 pcs., inside diameter 6-10mm, located at the bottom.

5. Settings

The unit is supplied with the factory settings and ready for operation (voltage 24V DC). In case a unit with voltage 12V is required for operation, the user shall provide the following steps on the circuit board:

- jumper «JP1» from 1-2 set to 2-3 (see Figure above for «JP1» location (Fig. 3)).

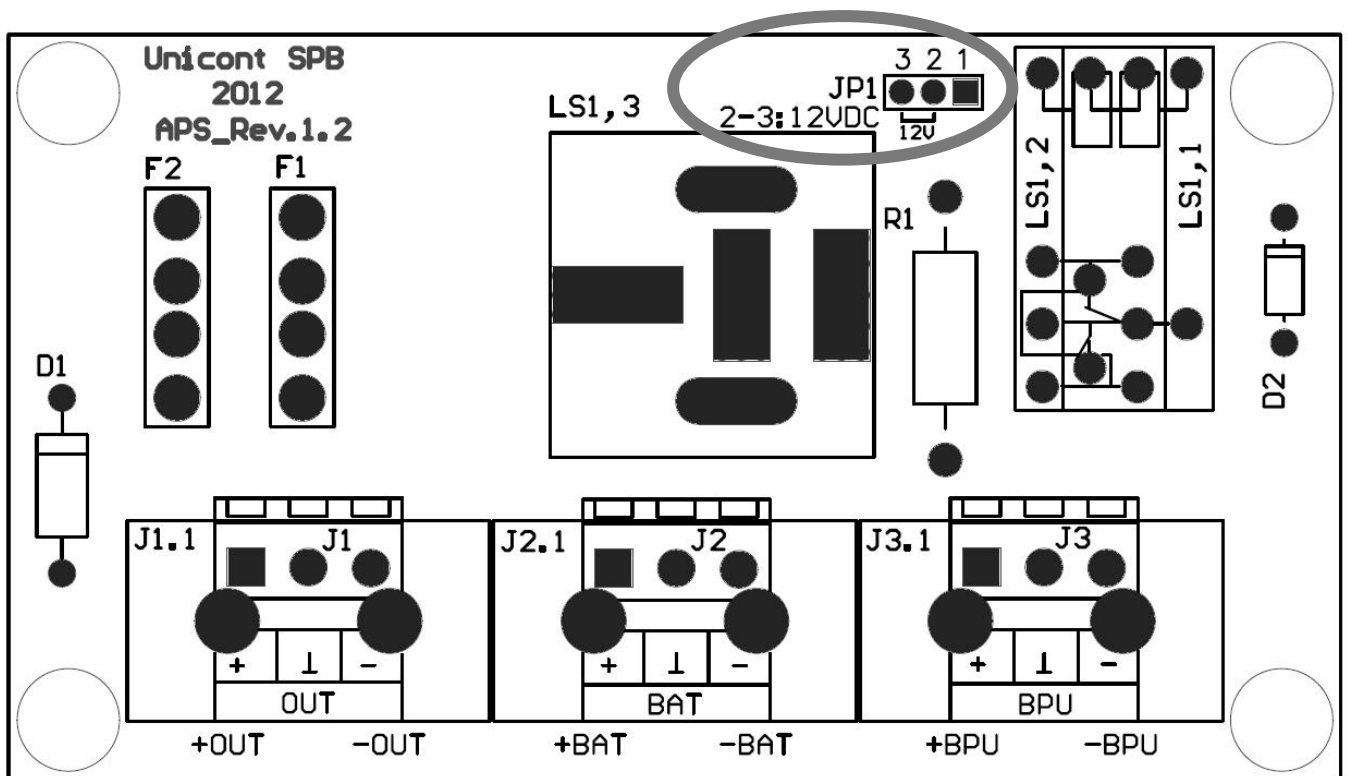


Fig. 3 Connection diagram.

6. Packing certificate

Automatic power switching unit APS-120 №
Product name Design number serial number

Packed «Unicont SPb» Ltd, Russia
Manufacturer

According to the technical documentation requirements.

_____ _____ _____
job title signature surname

_____ _____
year, month, day

7. Acceptance certificate

Automatic power switching unit APS-120 №
Product name Design number serial number

Manufactured and accepted in compliance with the mandatory state standard requirements, technical documentation and approved for operation.

Quality control department rep

Stamp _____ _____
signature surname

_____ _____
year, month, day

8. Installation certificate

Automatic power switching unit APS-120 №
Product name Design number serial number

Accepted for operation

Installation date _____

Installation site _____

Installed by _____