

BASE CONCEALED SMALL BASE



SKU CODE	QLP-360-CRS
BARCODE (EAN-13)	9348943056755
MSRP	US \$14.99 AU 19.95 CA \$19.99 EU €14.99 UK £11.99
MANUFACTURED IN	China
HS CODE	392690
HTS CODE (USA)	3926909985
PRIMARY APPLICATIONS	MARINE, RV

PRODUCT DETAILS

FEATURES

- 2 HOLE BASE
- GLAMOUR COVER TO HIDE THE MOUNTING SCREWS
- LOW PROFILE BASE

COMPATABILITY

COMPATIBLE WITH:

- FLAT MOUNTING SURFACE
- M5 or 10G (gauge 10) PAN HEAD SCREWS
- ALL QUAD LOCK 360 ARMS AND HEADS
- USE MOTO SPACER, M5 x 45 SCREW & RIGHT ANGLE USB-C CABLE FOR USB - WEATHERPROOF WIRELESS CHARGER

NOT COMPATIBLE WITH

- CURVED MOUNTING SURFACE

INCLUDED IN THE BOX

- 1 x QUAD LOCK CONCEALED SMALL BASE WITH COVER
- 1 x QUAD LOCK 10mm SPACER
- 1 x M5 x 30 COUNTERSUNK HEX SOCKET SCREW (for connecting Spacer to Lever Head or 360 Arms)
- 1 x M5 x 45 COUNTERSUNK HEX SOCKET SCREW (for connecting Spacer to Weatherproof Wireless Charger)

*MOUNTING SCREWS NOT INCLUDED

MATERIALS

GLASS FILLED NYLON
316 STAINLESS STEEL HARDWARE

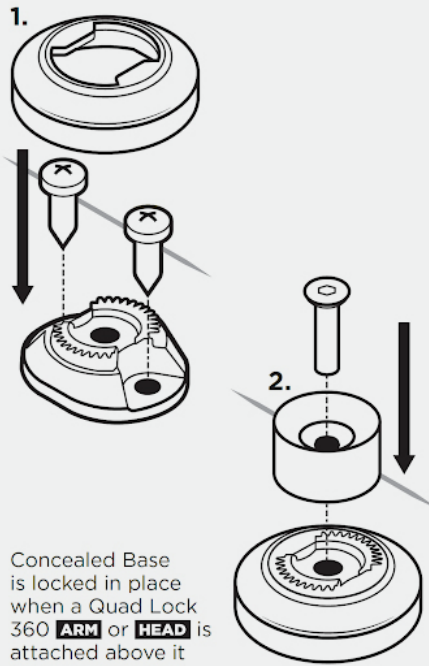
MEASUREMENTS

40mm L x 40mm W x 12mm H

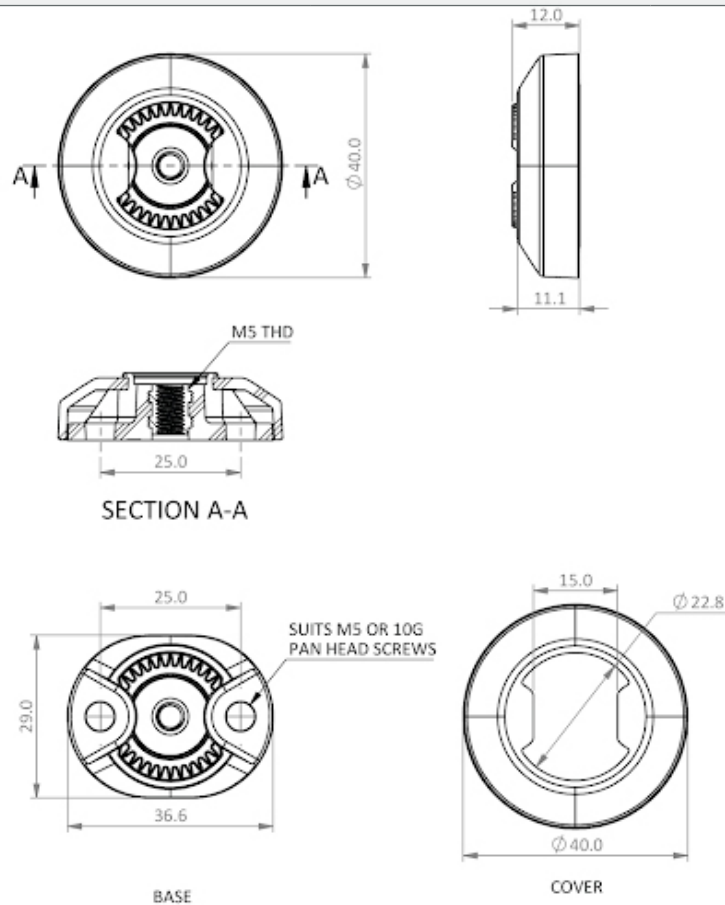
PRODUCT WIGHT (KG)

0.02 kg

MOUNTING & INSTALLATION



PRODUCT DETAILS	INDIVIDUAL	INNER CARTON	MASTER CARTON
QTY	-	20 Units	100 Units
SKU CODE	QLP-360-CRS	20QLP-360-CRS	100QLP-360-CRS
BARCODE	9348943056748	19348943056752	29348943056759
DIMENSIONS (L x W x H)	9.4 x 2.1 x 6.5 cm	23.3 x 14 x 12.9 cm	73 x 24.4 x 15.6 cm
WEIGHT	0.04 kg	0.93 kg	5.12 kg



©2023 QUAD LOCK Pty Ltd
 Designed in Melbourne, AUS | Made in China | All Rights Reserved
 All trademarks are property of their prospective owners

Head Office: Suite 6A, Level 3, The Como Centre,
 299 Toorak Rd, South Yarra, VIC 3141, Australia

QUADLOCKCASE.NET