

ACCESSORY

QUAD LOCK TO ACTION CAMERA ADAPTOR

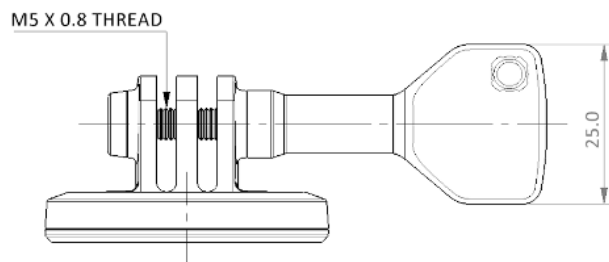
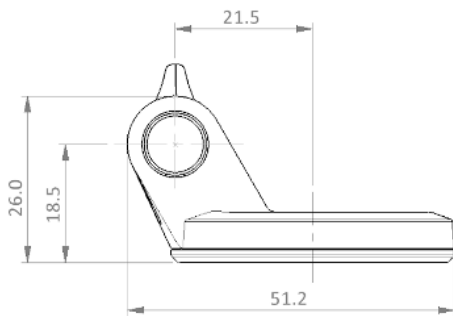
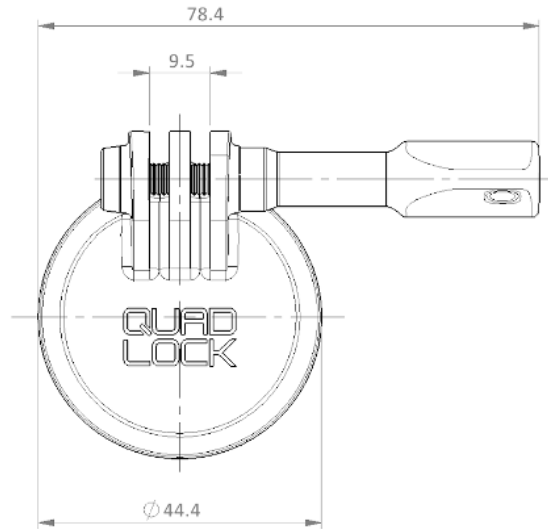


SKU CODE	QLA-ACA
BARCODE (EAN-13)	9348943057592
MSRP	US \$19.99 AU \$24.95 CA \$24.99 EU €19.99 UK £17.99
MANUFACTURED IN	China
HS CODE	392690
HTS CODE (USA)	3926909985
PRIMARY APPLICATIONS	PHOTOGRAPHY

PRODUCT DETAILS

FEATURES	<ul style="list-style-type: none"> Utilizes Quad Lock Twist Lock mechanism for fast camera attachment & removal Stainless Steel Threaded Insert Large range of Camera Tilt Offset Mount Ergonomic thumbscrew for easy tightening
COMPATABILITY	<p>COMPATIBLE WITH:</p> <ul style="list-style-type: none"> All Quad Lock twist-lock Mounts <p>NOT COMPATIBLE WITH:</p> <ul style="list-style-type: none"> Quad Lock MAG mounts Action cameras and lights that DO NOT have the standard 2-prong "GO-PRO" style mounting feature Action cameras where the base of the camera is wider than 65mm - thumbscrew will clash with camera Not recommended for use with VDM - may increase camera shake at low frequencies Not recommended for use with vehicle mounts such as Vent Mount or Adhesive/Dash Console Mount
INCLUDED IN THE BOX	1 x QUAD LOCK TO ACTION CAMERA ADAPTOR 1 x M5 THUMB SCREW
MATERIALS	Polycarbonate Stainless Steel
MEASUREMENTS	See image below
PRODUCT WIGHT (KG)	0.032kg

PRODUCT DETAILS	INDIVIDUAL	INNER CARTON	MASTER CARTON
QTY	-	20 Units	100 Units
SKU CODE	QLA-ACA	20QLA-ACA	100QLA-ACA
BARCODE	9348943057592	19348943057599	29348943057596
DIMENSIONS (L x W x H)	9.4cm x 6.5cm x 2.7cm	29.8cm x 14cm x 11cm	72.8cm x 31.3cm x 13cm
WEIGHT	0.052kg	1.120 kg	5.800kg



 **DESIGNED IN AUSTRALIA**

PATENTED. &/OR PAT. PEND. & TM:
QUADLOCKCASE.COM/IP 

©2024 QUAD LOCK Pty Ltd
Designed in Melbourne, AUS | Made in China | All Rights Reserved
All trademarks are property of their prospective owners

Head Office: Suite 6A, Level 3, The Como Centre,
299 Toorak Rd, South Yarra, VIC 3141, Australia

QUADLOCKCASE.NET