

**Unicont SPb Ltd**

**Marine convection  
UT-300\600\800\1200\1800C**

Technical Documentation

(000-5-25052012)

**St. Petersburg**  
2012

v.5.1

**Table of Contents**

<b>1. GENERAL.....</b>	<b>3</b>
<b>2. DELIVERY SET .....</b>	<b>3</b>
<b>3. SPECIFICATIONS .....</b>	<b>3</b>
<b>4. INSTALLATION AND CONNECTION .....</b>	<b>4</b>
<b>5. SAFETY MEASURES.....</b>	<b>7</b>
<b>6. TRANSPORTATION AND STORAGE .....</b>	<b>8</b>
<b>7. RECYCLING .....</b>	<b>9</b>
<b>8. WARRANTY .....</b>	<b>10</b>
<b>9. DATE OF PACKING.....</b>	<b>11</b>
<b>10. ACCEPTANCE DETAILS.....</b>	<b>11</b>
<b>11. DATE OF COMMISSIONING .....</b>	<b>11</b>

## 1. General

The UT-xxxC marine convection heaters are designed to heat rooms free from explosive mixtures in the air on ships or water-borne vehicles of any navigating zone. The UT-xxxC convection heaters can also be used for industrial purposes.

The UT-xxxC series is characterized by its up-to-date design similar to foreign models of the same type.

## 2. Delivery Set

- |                             |   |
|-----------------------------|---|
| 1. Marine convection heater | 1 |
| 2. Operating Manual         | 1 |

## 3. Specifications

Table 1. Operating characteristics per model

Characteristics	Model				
	UT-300C	UT-600C	UT-800C	UT-1200C	UT-1800C
Supply voltage	127 VAC 50 Hz, 220 VAC 50 Hz, 380 VAC (2-phase) 50 Hz				
Power consumption, W	300	600	800	1200	1800
Heating capacity, m3	7	14	19	28	42

Table 2. General characteristics per model

Dimensions					
– width, mm	415.5	515.5	615.5	845.5	1060.5
– height, mm	296	296	296	296	296
– thickness, mm	101.5	101.5	101.5	101.5	101.5
Weight, kg	5.5	7.5	9	11	14
Protection class	IP 22				
Operating temperature	-20°C to +55°C				
Storage temperature	-55°C to +70°C				

## 4. Installation and connection

Install the convection heater following the below procedure:

1. Select an installation place providing free access, connection of cables and termination of cable ends in accordance with the dimensional drawing (refer to fig. 1). To ensure conformance to the IP 44 protection class, the convection heater should be mounted on a vertical bulkhead inside the ship.
2. Remove the front panel of the unit.
3. Special fasteners are provided for installation of the UT-xxxC convection heater. The fasteners are mounted on the vertical bulkhead according to the installation dimensions of the convection heater (refer to fig.Fig 1, Table 3). Then, hang the UT-xxxC on the fasteners and fix it by screws. Firmly fasten the body on the vertical bulkhead and check fastening security by hand.
4. Connect the leads from power supply units and connected devices and pass them through a cable inlet located in the bottom of the heater body.
5. Connect the leads to appropriate terminals in the terminal blocks as per the electric diagram (refer to fig.Fig 2).
6. Supply power to the convection heater using the switch and make sure that the convection heater is properly connected and serviceable.

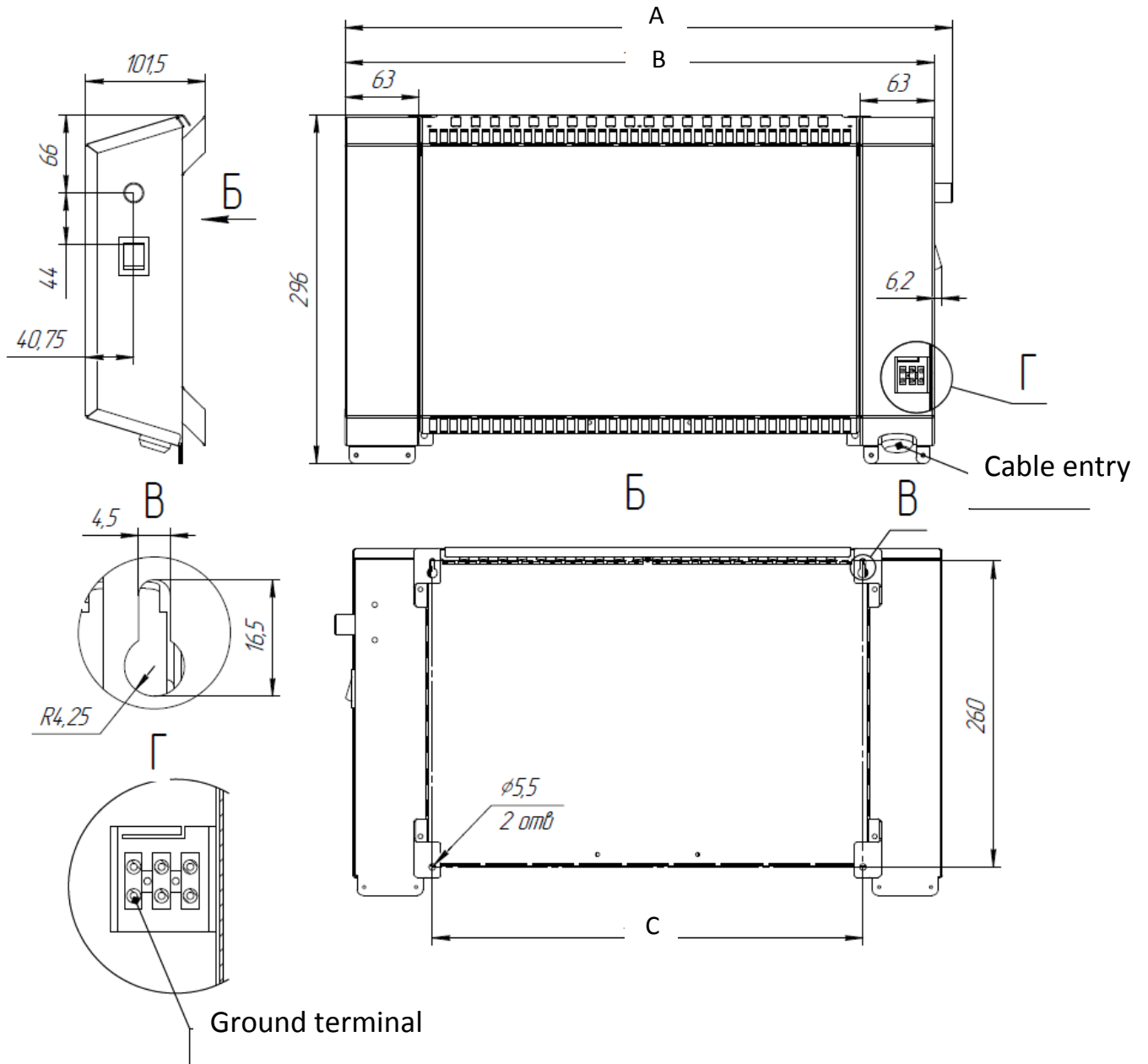


Fig 1. UT-xxxC. Installation drawing

Table 3. Dimensions of convection heater body.

Type	A (mm)	B (mm)	C (mm)
UT-300C	415.5	400	265
UT-600C	515.5	500	365
UT-800C	615.5	600	465
UT-1200C	845.5	830	695
UT-1800C	1060.5	1045	910

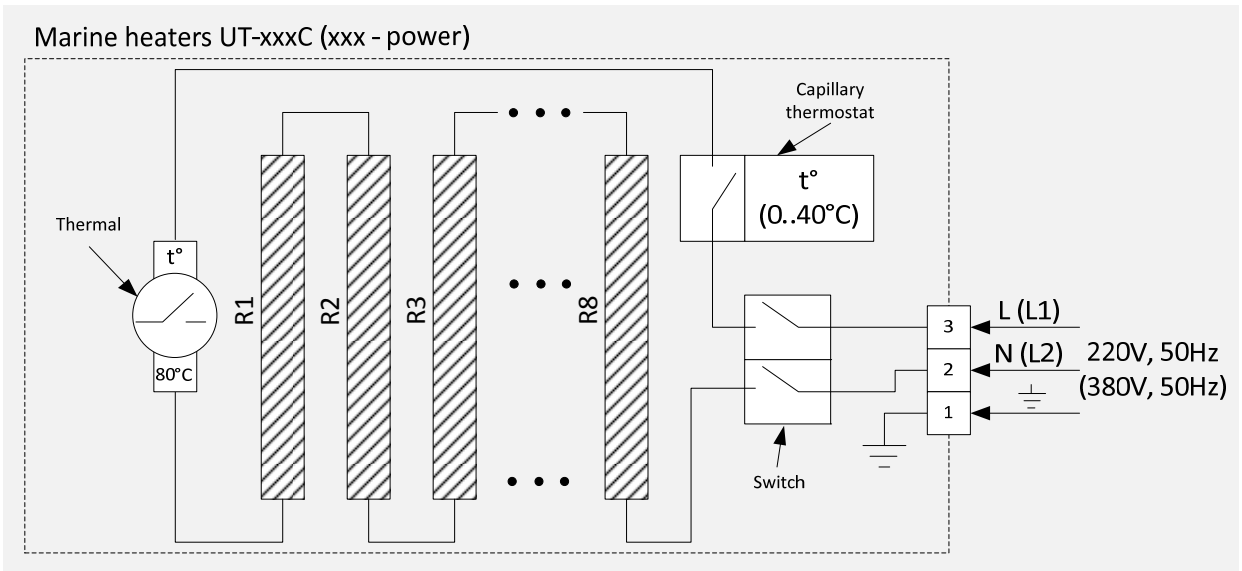


Fig 2. Electric connection diagram.

## 5. Safety measures

- Avoid any contacts of the product with water and ingress of water inside the product.
- To prevent damages of applied marking, do not use organic solvents to clean the product surfaces.
- Do not connect the equipment to electric mains, which parameters do not conform to the ones specified in this documentation.
- **Do not operate a faulty product.**
- **Do not use the convection heater in the environment containing flammable or explosive mixtures.**
- **Do not put flammable or explosive objects on the top grid of the convection heater.**

## 6. Transportation and Storage

The device shall be stored in heated space at air temperature of +5 °C to +35 °C (maximum values of -55 °C to +70 °C), at relative humidity of air not exceeding 95 % at temperature of +25 °C and content of dust, oil, moisture and aggressive admixtures in the air not exceeding the norms envisaged by GOST 12.1.005-88 for the working zone of production areas.

The device shall be transported in transport container of the manufacturer in closed transport.

Means of transport:

- automobile and railway closed transport (covered wagons, universal containers)
- by air (in pressurized and heated bays of airplane)
- by sea (in dry service spaces).

The device shall be transported in accordance with the transport regulations in force for the particular transport.

During handling operations and transportations strictly observe the requirements of handling marks on boxes and do not allow bumps and impacts which can affect preservation and serviceability of the device.

Packed devices shall be reliably secured in vehicles.

After storage in stores or transportation at temperature below +10 °C the devices shall be unpacked only in heated spaces after keeping them unpacked in under normal climatic conditions for 12 hours.



## 7. Recycling

Do not recycle the packing of a new product, its parts with defects identified during its operation as well as the overage product as common household waste since they contain materials and raw materials suitable for their recovery.

Decommissioned and unused components should be delivered to a specialized waste collection center licensed by local authorities. You can also send the overage equipment to the manufacturer for its further recycling.

Proper recycling of the product components will prevent potential negative consequences for human health and the environment, as well as provide recovery of the product component materials while substantially saving on energy and resources.

**The product does not endanger human life and health or the environment during and after its service life.**

**This product should be recycled following the requirements applicable to electronic equipment.**



**Products marked with a crossed-out recycle bin should be recycled apart from common household waste.**

## 8. Warranty

The manufacturer guarantees the unit UT-300\600\800\1200\1800C complies with this manual provided that the operation, transportation and storage conditions are adhered to during the warranty period.

The unit's warranty period expires 24 months from the date of its shipping from the manufacturer's storehouse.

Within the warranty period, the owner is entitled for a free repair, or a replacement of a separate part, provided that the malfunction occurred through the manufacturer's fault.

Warranty repair is provided if the unit is submitted with the manufacturer's label and a legible serial number available on it, as well as this operating manual.

The manufacturer is not responsible and cannot guarantee the unit's operation:

1. After the warranty period is over;
2. In case of the failure to observe the unit's operation, transportation, storage and installation rules and conditions;
3. If the unit is in an unmarketable condition, or has a damaged body, and other causes beyond the manufacturer's control;
4. If self-made electrical devices were used.
5. If there was an attempt to repair the unit by a person who is not an authorized representative of the manufacturer.

If the owner loses this operating manual or the manufacturer's label with a serial number, the manufacturer shall not provide their copies, and the owner shall be divested of the right for a free repair during the warranty period.

Upon the warranty expiry, the manufacturer shall facilitate the repair of the unit at the owner's expense.

Note: in case of warranty repair, the unit's disassembling from the installation site and its delivery to the manufacturer's service center are done at the owner's expense.

Visit the manufacturer's website [www.unicont.spb.ru](http://www.unicont.spb.ru) (section "support/warranty") to find:

- forms to fill in claims,
- full warranty description;
- full description of the warranty service rendering procedure.

**The manufacturer service center's address and contact details:**

**Unicont SPb, Ltd.**

**Bld. 26E Kibalchich Str., Saint Petersburg, 192174, Russia**

**tel.: + 7 (812) 622 23 10, +7 (812) 622 23 11**

**fax: +7 (812) 362 76 36**

**e-mail: [service@unicont.spb.ru](mailto:service@unicont.spb.ru)**

**9. Date of packing**

Marine convection                      UT-300\600\800\1200\1800C                      №  
name of article    designation    serial number

Packed Unicont SPb Ltd, Russia.  
Manufacturer

according to the requirements of the current technical documentation.

\_\_\_\_\_    \_\_\_\_\_    \_\_\_\_\_  
post    signature    clarification of signature

\_\_\_\_\_  
year, month, day

**10. Acceptance details**

Marine convection                      UT-300\600\800\1200\1800C                      №  
name of article    designation    serial number

was manufactured and accepted in accordance with the regulatory requirements of the state standards and applicable technical documentation, and is suitable for operation.

Quality control representative

Stamp \_\_\_\_\_    \_\_\_\_\_  
here                      signature    clarification of signature

\_\_\_\_\_  
year, month, day

**11. Date of commissioning**

Marine convection                      UT-300\600\800\1200\1800C                      №  
name of article    designation    serial number

The unit has been put into operation.

Date of installation: \_\_\_\_\_

Place of installation: \_\_\_\_\_

Person in charge of installation: \_\_\_\_\_