

AU-106



Alarm Unit

UNICONT

Unicont SPb Ltd

Address:

Russia. 192174. St. Petersburg,
Kibalchicha st., 26E

Phone: +7 (812) 622 23 10

E-mail: info@unicont.spb.ru

Web: www.unicont.spb.ru

Alarm Unit AU-106 is meant for visual and acoustic warning of navigator on activation of external alarm of any ship equipment connected to alarm unit on the basis of connection/disconnection of "dry" contacts or on input voltage level

Technical Specifications

Mains supply voltage:	12 - 24 VDC.
Current consumption:	> 50 mA
Current consumption input "Relay":	> 2 mA
Voltage levels on input "U":	5/12/24/110/220 V
Overall dimensions:	88 x 108 x 54 (mm)
Weight:	no more than 500 g
Operating temperature:	- 20.. + 60 °C
Storage temperature:	- 55.. + 70 °C
Protection rate:	IP 22

Operating principles

On external alarm response of equipment connected to AU-106 device starts beeping and blinking with light diode built in acknowledgement button. When acknowledgement button is pressed acoustic alarm is off. If alarm is still on light diode built in button is alight permanently. When alarm is turned off light diode goes out. If alarm responses repeatedly signaling cycle is the same.

JP3	Contacts voltage	Ack.	Lamp	Sound
2-3	Opened/No	-	Flashes	+
2-3	Opened/No	+	Shine	-
2-3	Closed/No	-	-	-
2-3	Closed/No	+	-	-
1-2	Opened/Yes	-	-	-
1-2	Opened/Yes	+	-	-
1-2	Opened/Yes	-	Flashes	+
1-2	Opened/Yes	+	Shine	-

Attention! If acknowledgement button was not pressed acoustic and visual alarm is being proceeded until the button is not pressed by the operator, even if alarm of connected equipment is off.

Settings

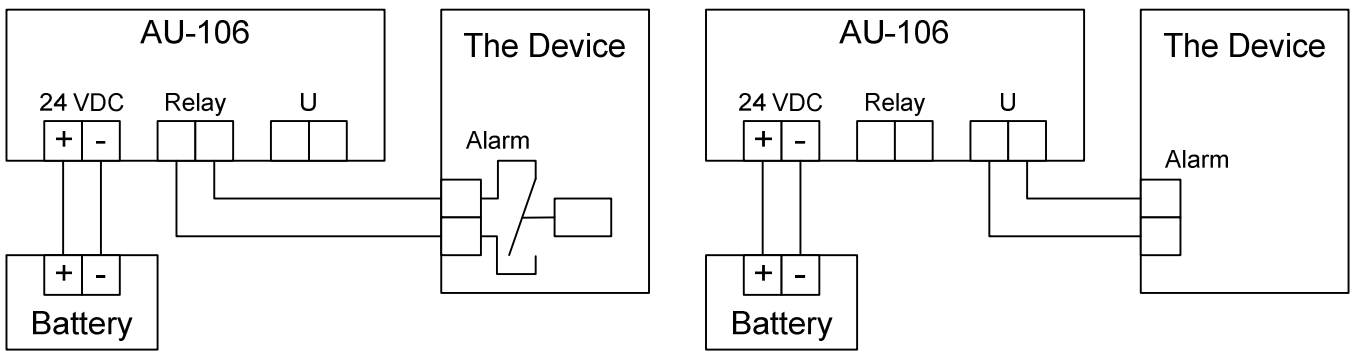
AU-106 has 2 inputs connecting alarm units of different types. Input "Relay" is used for connection of alarm on the basis of connection/disconnection of "dry" contacts. Input "U" is used for connection of alarm on the basis of voltage level supply.

AU-106 can be connected with outputs of external alarm as by closed contact as by open contacts.

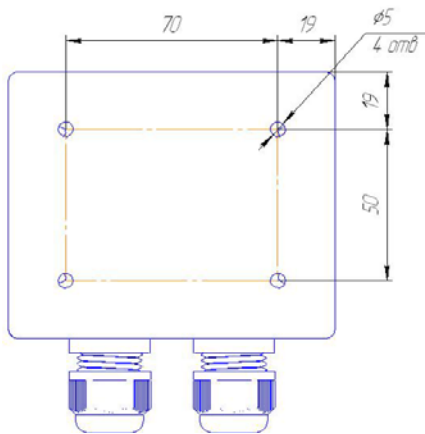
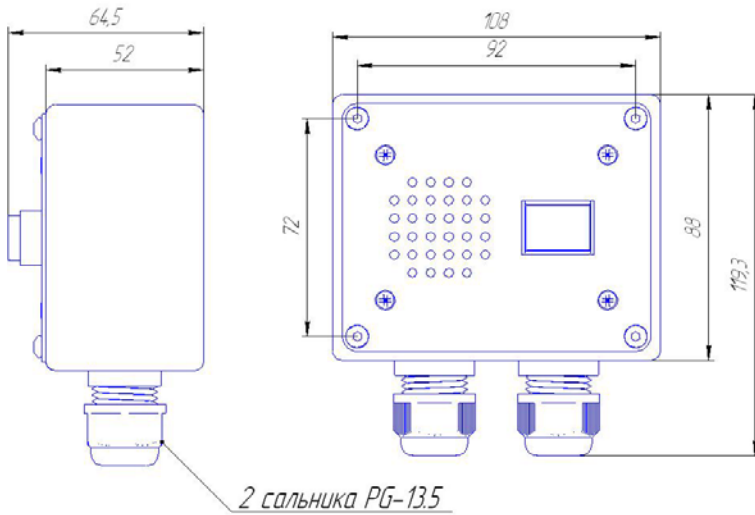
Using alarm basing on supply of voltage level device response can be adjusted both for presence and absence of voltage.

Device operating conditions are controlled by JP2 and JP3 jumpers. Alarm type ("dry contacts" / voltage) is to be chosen by JP2, and type of fault alert by JP3.

JP2	JP3	Alarm signal
1-2	1-2	Opening of dry contacts
1-2	2-3	Opening of dry contacts
2-3	1-2	Voltage on U input >5 V
2-3	2-3	Voltage on "U" input = 0 V



Dimensional drawing and general appearance of the device



DATE OF PACKING

Alarm unit AU-106 №
name of article designation serial number

Packed Unicont SPb Ltd, Russia.
Manufacturer

according to the requirements of the current technical documentation.

post signature clarification of signature

year, month, day

ACCEPTANCE DETAILS

Alarm unit AU-106 №
name of article designation serial number

was manufactured and accepted in accordance with the regulatory requirements of the state standards and applicable technical documentation, and is suitable for operation.

Quality control representative

Stamp_ signature clarification of signature
here
year, month, day

DATE OF COMMISSIONING

Alarm unit AU-106 №
name of article designation serial number

The unit has been put into operation.

Date of installation: _____

Place of installation: _____

Person in charge of installation: _____